

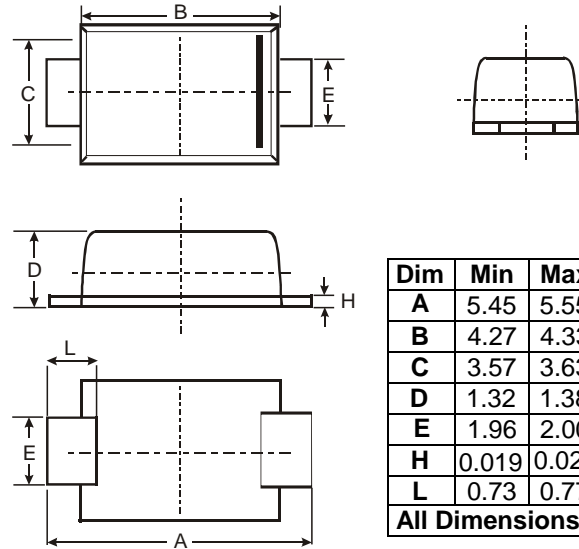
CURRENT 2.0 Ampere  
 VOLTAGE RANG 50 to 1000 Volts

**RS2ABF THRU RS2MBF**

**FEATURES**

- Plastic package has underwrites laboratory flammability Classification 94V-0
- Low profile surface mount package
- Built-in strain relief
- Fast switching for high efficiency
- Glass Passivated chip junction
- High temperature soldering: 250 /10 second at terminals

**S M B F**



Dim	Min	Max	Typ
A	5.45	5.55	5.50
B	4.27	4.33	4.30
C	3.57	3.63	3.60
D	1.32	1.38	1.35
E	1.96	2.00	1.98
H	0.019	0.021	0.20
L	0.73	0.77	0.75
<b>All Dimensions in mm</b>			

**MECHANICAL DATA**

- Case: JEDED SMBF molded plastic over glass passivated chip
- Terminals: Solder plated, Solderable per MIL-STD-750, method 2026
- Polarity: Color band denotes cathode end  
 Weight: 0.002ounce, 0.09 gram

**MAXIMUM RATINGS & THERMAL CHARACTERISTICS**

- Ratings at 25 ambient temperature unless otherwise specified

PARAMETELS	SYMBOLS	RS2A	RS2B	RS2D	RS2G	RS2J	RS2K	RS2M	UNIT
Maximum Repetitive Peak Reverse Voltage	$V_{RRM}$	50	100	200	400	600	800	1000	Volts
Maximum RMS Voltage	$V_{RMS}$	35	70	140	280	420	560	700	Volts
Maximum DC Blocking Voltage	$V_{DC}$	50	100	200	400	600	800	1000	Volts
Maximum Average Forward Rectified Current at $T_L=100$	$I_{F(AV)}$	2.0							Amps
Peak Forward Surge Current 8.3ms single half sine wave superimposed on rated load (JEDEC method) $T_L=100$	$I_{FSM}$	50							Amps
Typical Thermal Resistance (NOTE 1)	$R_{JA}$	55							/W
	$R_{JL}$	18							
Operating and Storage Temperature Range	$T_J, T_{STG}$	-55 to +150							

**ELECTRICAL CHARACTERISTICS**

PARAMETELS	SYMBOLS	RS2A	RS2B	RS2D	RS2G	RS2J	RS2K	RS2M	UNIT
Maximum Instantaneous Forward Voltage at 2.0A	$V_F$	1.30							Volts
Maximum DC Reverse Current at rated DC Blocking Voltage	$T_A = 25$	5.0							$\mu A$
	$T_A = 125$	200							
Typical Reverse Recovery Time $I_F=0.5A, I_R=1.0A, I_{RR}=0.25A,$	$T_{rr}$	150				250	500		ns
Typical junction capacitance at 4.0V, 1MHz	$C_J$	30							pF

**Notes:**

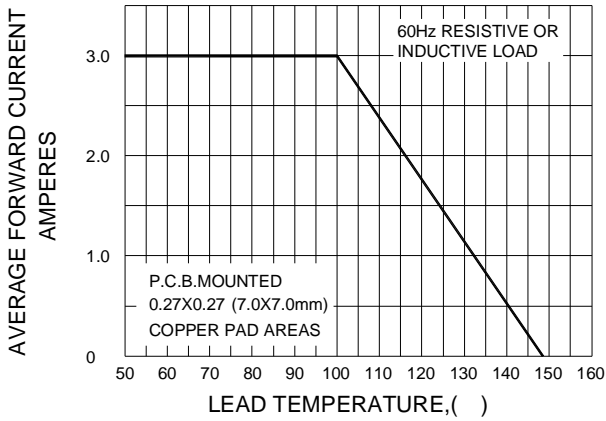
1. Thermal resistance from Junction to ambient and from junction to lead mounted on P.C.B. with 0.27×0.27" (7.0 × 7.0mm) copper pad areas.

CURRENT 2.0 Ampere  
 VOLTAGE RANG 50 to 1000 Volts

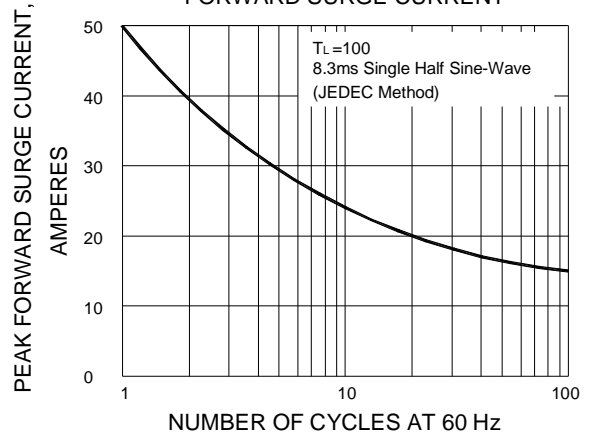
**RS2ABF THRU RS2MBF**

RATING AND CHARACTERISTIC CURVES RS2A Thru RS2M

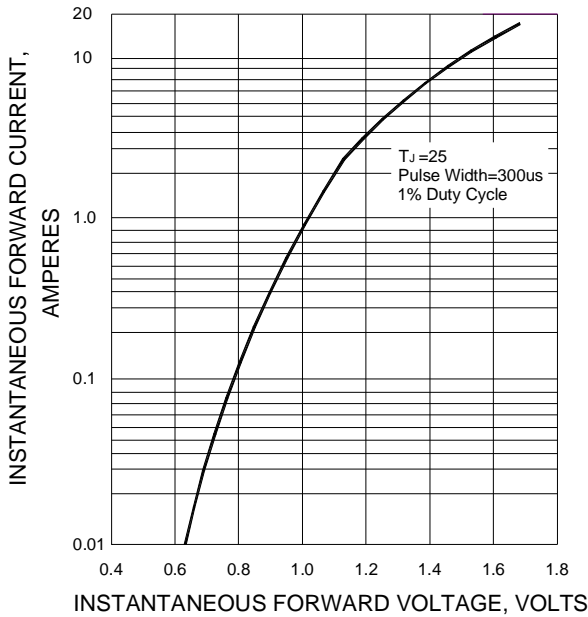
F1G.1-FORWARD CURRENT DERATING CURVE



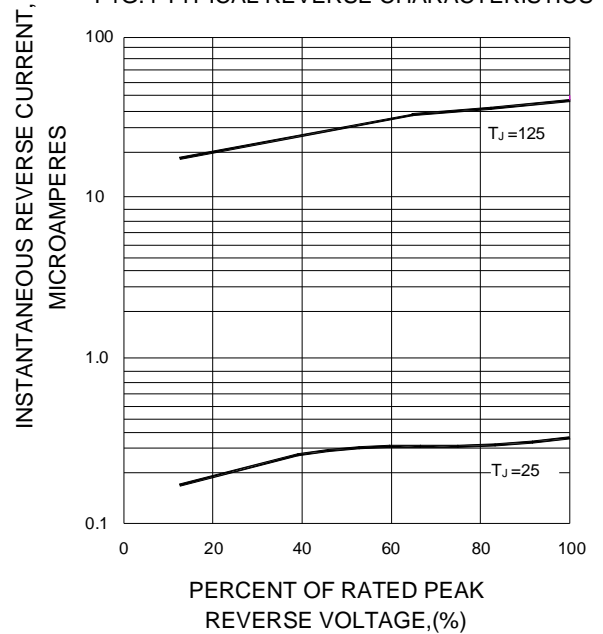
F1G.2-MAXIMUM NON-REPETITIVE PEAK FORWARD SURGE CURRENT



F1G.3-TYPICAL INSTANTANEOUS FORWARD CHARACTERISTICS



F1G.4-TYPICAL REVERSE CHARACTERISTICS



F1G.5-TYPICAL JUNCTION CAPACITANCE

